

# WIPER/WASHER SYSTEM

1992 Subaru SVX

1992 SAFETY EQUIPMENT  
Wiper/Washer Systems

Loyale, SVX

## DESCRIPTION & OPERATION

### FRONT WIPER/WASHER SYSTEM

Wiper switch is part of combination switch on steering column. On vehicles with intermittent wiper system, intermittent wiper unit controls amount of time delay between wiper strokes. On Justy and SVX, intermittent wiper unit is behind far left end of instrument panel. On Loyale, location of intermittent wiper unit is not available.

### REAR WIPER/WASHER SYSTEM

Loyale

Rear wiper switch completes circuit to wiper motor and washer motor depending on switch position.

SVX

System is an intermittent wiper system. Time control unit, located behind right end of instrument panel, controls amount of time delay between wiper strokes. System also uses a rear wiper relay located in right rear corner of trunk.

### WASHER NOZZLE ADJUSTMENTS

Adjust washer nozzles so washer fluid sprays at specified positions on windshield or liftgate/tailgate glass. See Figs. 1-3.

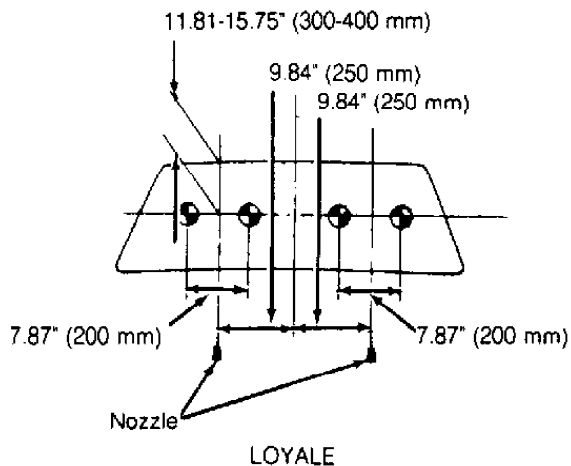
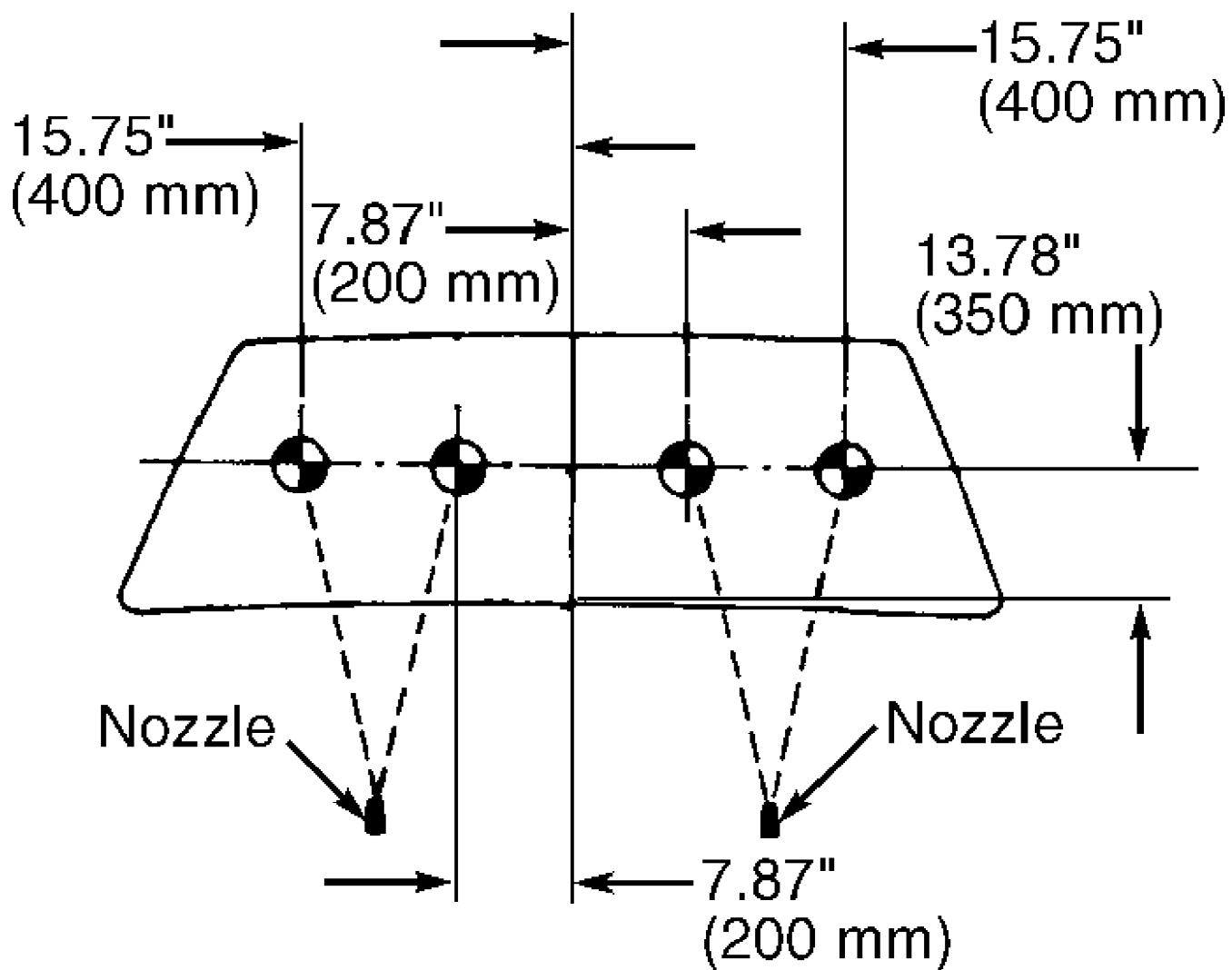
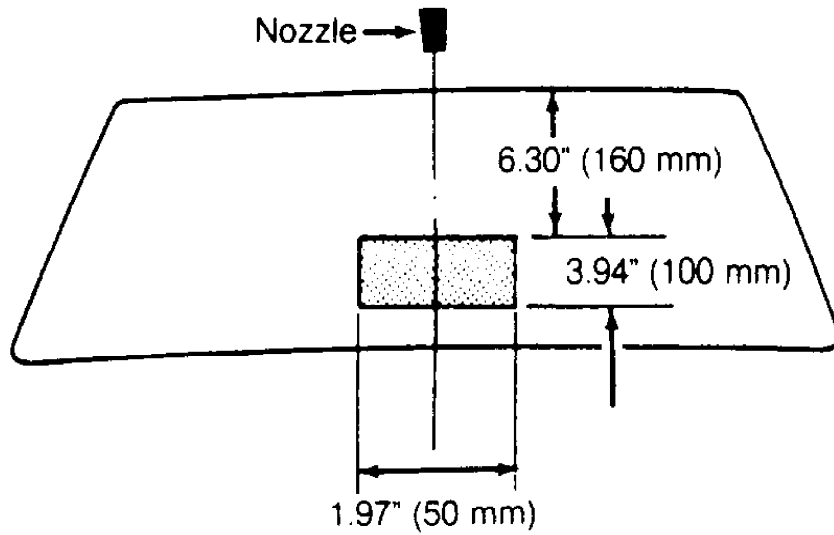


Fig. 1: Adjusting Front Washer Nozzles (Loyale)  
Courtesy of Subaru of America, Inc.

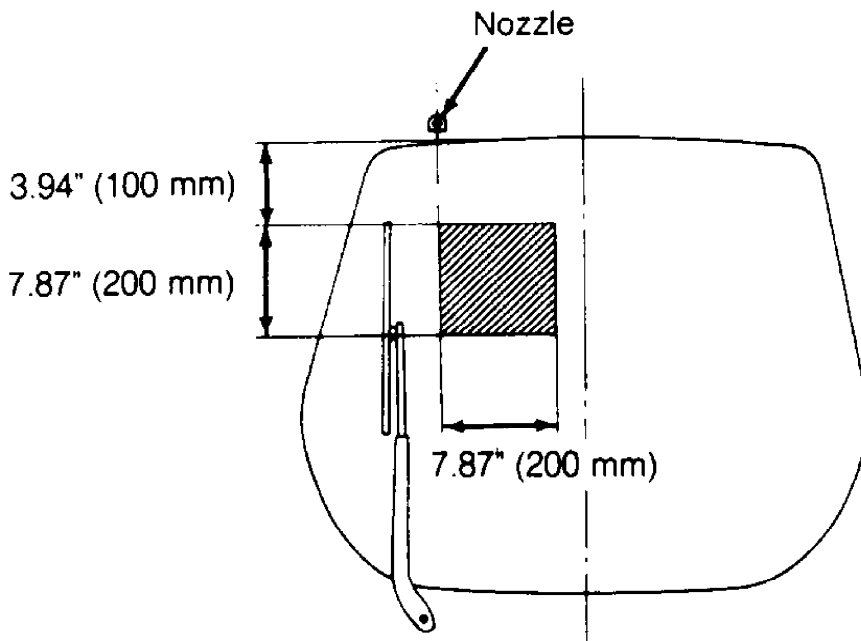


93C02316

Fig. 2: Adjusting Front Washer Nozzles (SVX)  
 Courtesy of Subaru of America, Inc.



JUSTY & LOYALE WAGON



LOYALE 3-DOOR

## 92E00715

Fig. 3: Adjusting Rear Washer Nozzle (Loyale)  
 Courtesy of Subaru of America, Inc.

Ensure wiper arms rest at correct position. See Figs. 1, 4, 5, 6, and 7.

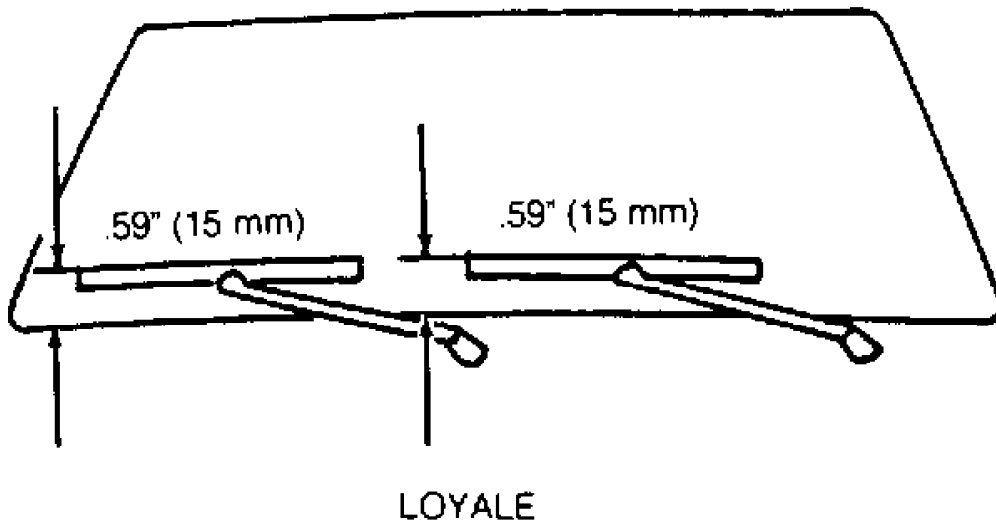
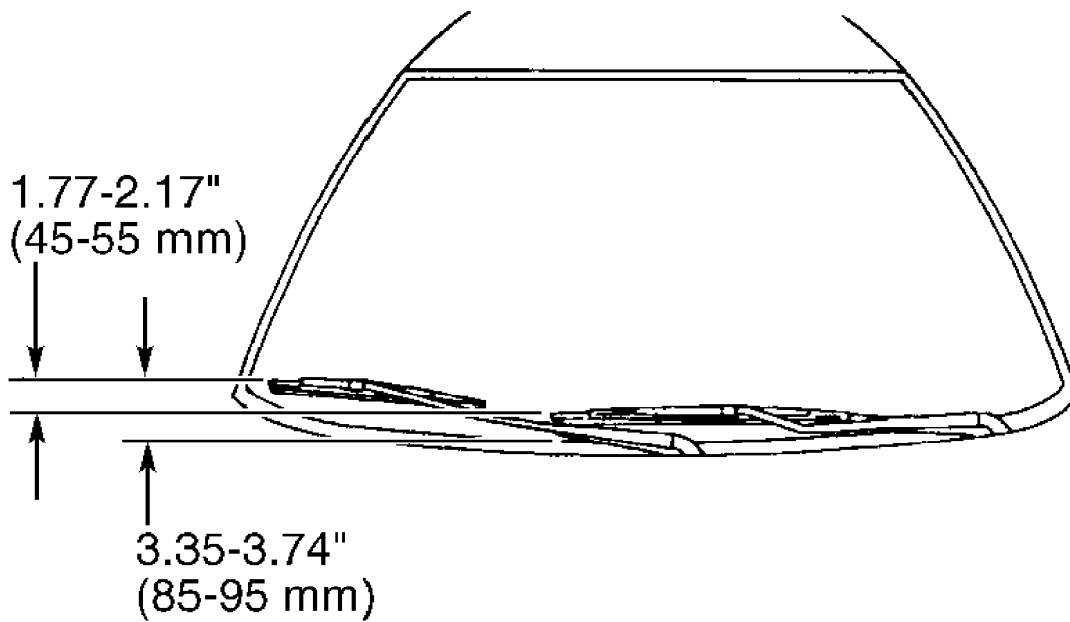
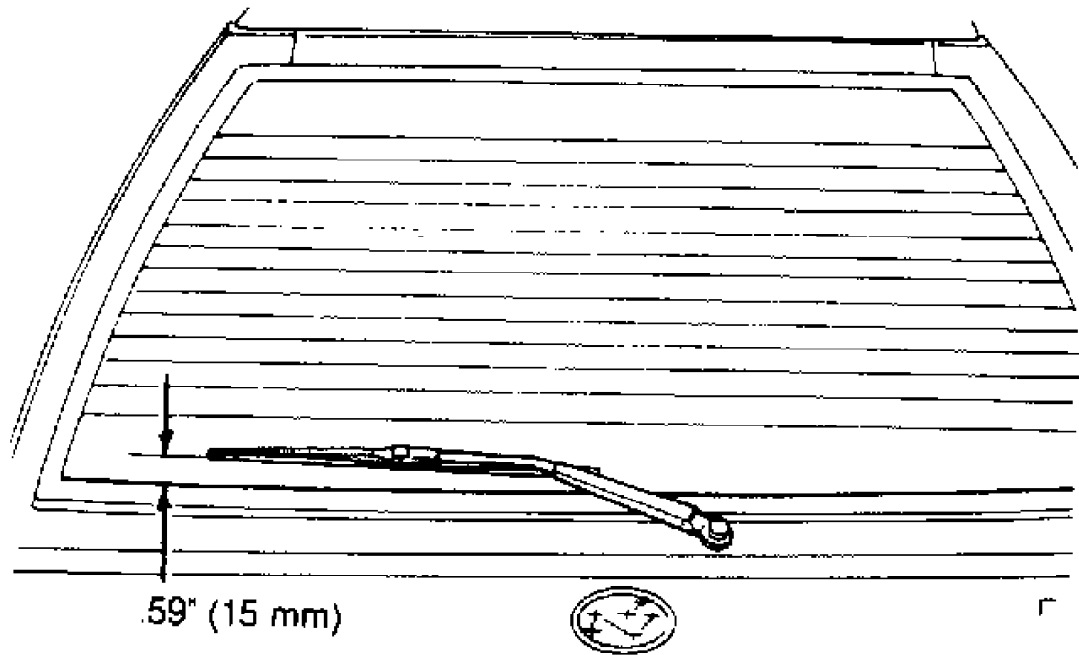


Fig. 4: Adjusting Front Wiper Arms (Loyale)  
Courtesy of Subaru of America, Inc.



93E02317  
Fig. 5: Adjusting Front Wiper Arms (SVX)  
Courtesy of Subaru of America, Inc.



**LOYALE WAGON & JUSTY**

Fig. 6: Adjusting Rear Wiper Arm (Loyale)  
 Courtesy of Subaru of America, Inc.

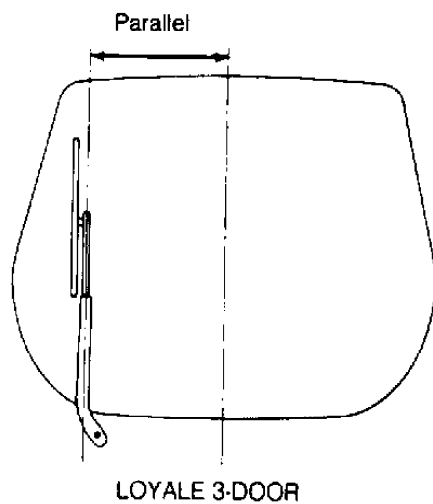
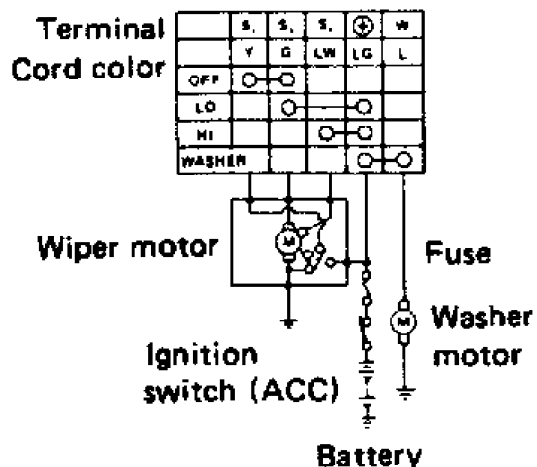
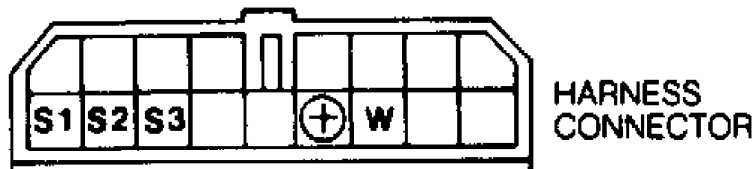


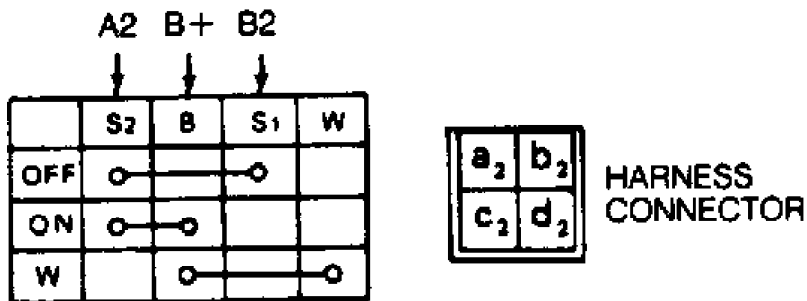
Fig. 7: Adjusting Rear Wiper Arm (Loyale)  
 Courtesy of Subaru of America, Inc.

**FRONT & REAR WIPER SWITCHES TESTING**

Replace switch if continuity does not exist between appropriate terminals of switch connector. See appropriate chassis wiring diagram in WIRING DIAGRAMS. On Justy and Loyale, also refer to illustration. See Fig. 8.



LOYALE (FRONT)



LOYALE (REAR)

Fig. 8: Testing Wiper Switch (Loyale)  
Courtesy of Subaru of America, Inc.

**WIPER SYSTEM TEST (LOYALE)**

## **WIPERS DO NOT OPERATE**

1) Turn ignition switch to ACC position. Turn wiper switch to LO position. Check voltage at Green/Yellow wire terminal of combination switch connector. If battery voltage is not present, check fuse and circuit.

2) If battery voltage is present, check voltage at Green/White wire terminal of combination switch connector. If battery voltage is not present, replace wiper switch. If battery voltage is present, turn wiper switch to HI position. Check voltage at Blue/White wire terminal of wiper switch connector.

3) If battery voltage is not present, replace wiper switch. If battery voltage is present, check voltage at Blue/White wire terminal of wiper motor connector. If battery voltage is not present, repair harness between combination switch and wiper motor. If battery voltage is present, check wiper motor ground (Black wire). If wiper motor ground is okay, replace wiper motor.

## **WIPERS DO NOT STOP AUTOMATICALLY (WITH INT WIPERS)**

1) Turn ignition on. Check fuse. If fuse is okay, turn wiper switch to LO position. If intermittent voltage is present at Blue/Green wire terminal of intermittent wiper unit connector, go to step 3). If intermittent voltage is not present, check voltage at Green/White wire terminal of wiper motor.

2) If voltage is not present, repair harness. If voltage is present, check voltage at Blue/Green wire terminal of wiper motor connector. If intermittent voltage is not present, replace wiper motor. If intermittent voltage is present, repair harness between wiper motor and wiper switch.

3) Turn wiper switch to OFF position. Check continuity across Blue/White and Green wire terminals of wiper switch connector. If continuity exists, replace wiper switch. If continuity does not exist, repair harness between combination switch and wiper motor.

## **WIPERS DO NOT OPERATE IN INTERMITTENT MODE**

Turn ignition switch to ACC position. If wipers do not operate when wiper switch is set to LO position, go to WIPERS DO NOT OPERATE. If wipers operate when wiper switch is set to LO position, check if wipers stop at original position when wiper switch is set to LO and then OFF position. If wipers do not stop, go to WIPERS DO NOT STOP AUTOMATICALLY (WITH INT WIPERS). If wipers stop, replace wiper switch.

## **WASHER DOES NOT OPERATE WHEN WASHER SWITCH IS IN ON POSITION**

1) Turn ignition switch to ACC position. Check fuse. If fuse is okay, check voltage at Green/Yellow wire terminal of combination switch connector. If battery voltage is not present, repair harness.

2) If battery voltage is present, check voltage at Red/White wire terminal of combination switch connector with washer switch turned to ON position. If battery voltage is not present, replace washer switch. If battery voltage is present, check voltage at Red/White wire terminal of washer motor connector with washer switch turned to ON position.

3) If battery voltage is not present, repair harness. If battery voltage is present, check washer motor ground (Black wire). If ground is okay, replace washer motor.

## **WIPERS DO NOT OPERATE WHEN WASHER SWITCH IS IN ON POSITION**

1) Turn ignition switch to ACC position. If wipers do not operate in INT mode, go to WIPERS DO NOT OPERATE IN INTERMITTENT MODE.

2) If wipers operate in INT mode, check washer motor operation. If washer motor operates, replace wiper switch. If washer motor does not operate, go to WASHER DOES NOT OPERATE WHEN WASHER SWITCH IS TURNED TO ON POSITION.

### **REAR WIPER DOES NOT OPERATE**

1) Turn ignition on. Check fuse. If fuse is okay, check voltage at Blue wire terminal of rear wiper switch connector. If voltage is not present, repair harness.

2) If battery voltage is present, turn rear wiper switch to ON position. Check voltage at Green wire terminal of rear wiper switch connector. If voltage is not present, replace rear wiper switch. If voltage is present, check voltage at Green (wagon) or Green/Blue (3-door) wire terminal of wiper motor connector.

3) If voltage is not present, repair harness. If battery voltage is present, check wiper motor ground (Black wire). If ground is okay, replace wiper motor.

### **REAR WIPER DOES NOT STOP AUTOMATICALLY**

1) Turn ignition on. Check fuse. If rear wiper will not operate at all, go to REAR WIPER DOES NOT OPERATE. If rear wiper operates, turn wiper switch to OFF position. Check continuity between Yellow and Green wire terminals of wiper switch.

2) If continuity does not exist, replace wiper switch. If continuity exists, check voltage at Green wire terminal of wiper motor connector. If voltage is not present, repair harness.

3) If battery voltage is present, connect jumper wire between Green wire terminal and Blue/Red (wagon) or Yellow/White (3-door) wire terminal of wiper motor connector. If wiper motor operates, replace wiper motor. If wiper motor does not operate, repair harness.

### **REAR WASHER DOES NOT OPERATE WHEN SWITCH IS IN ON POSITION**

1) Turn ignition switch to ACC position. Check fuse. If fuse is okay, check voltage at Blue wire terminal of rear wiper switch connector. If battery voltage is not present, repair harness.

2) If battery voltage is present, check voltage at Red wire terminal of rear wiper switch connector with washer switch turned to ON position. If battery voltage is not present, replace rear wiper switch. If battery voltage is present, check voltage at Red wire terminal of washer motor connector with washer switch turned to ON position.

3) If voltage is not present, repair harness. If voltage is present, check washer motor ground (Black wire). If ground is okay, replace washer motor.

### **WIPER SYSTEM TEST (SVX)**

Information is not available from manufacturer.

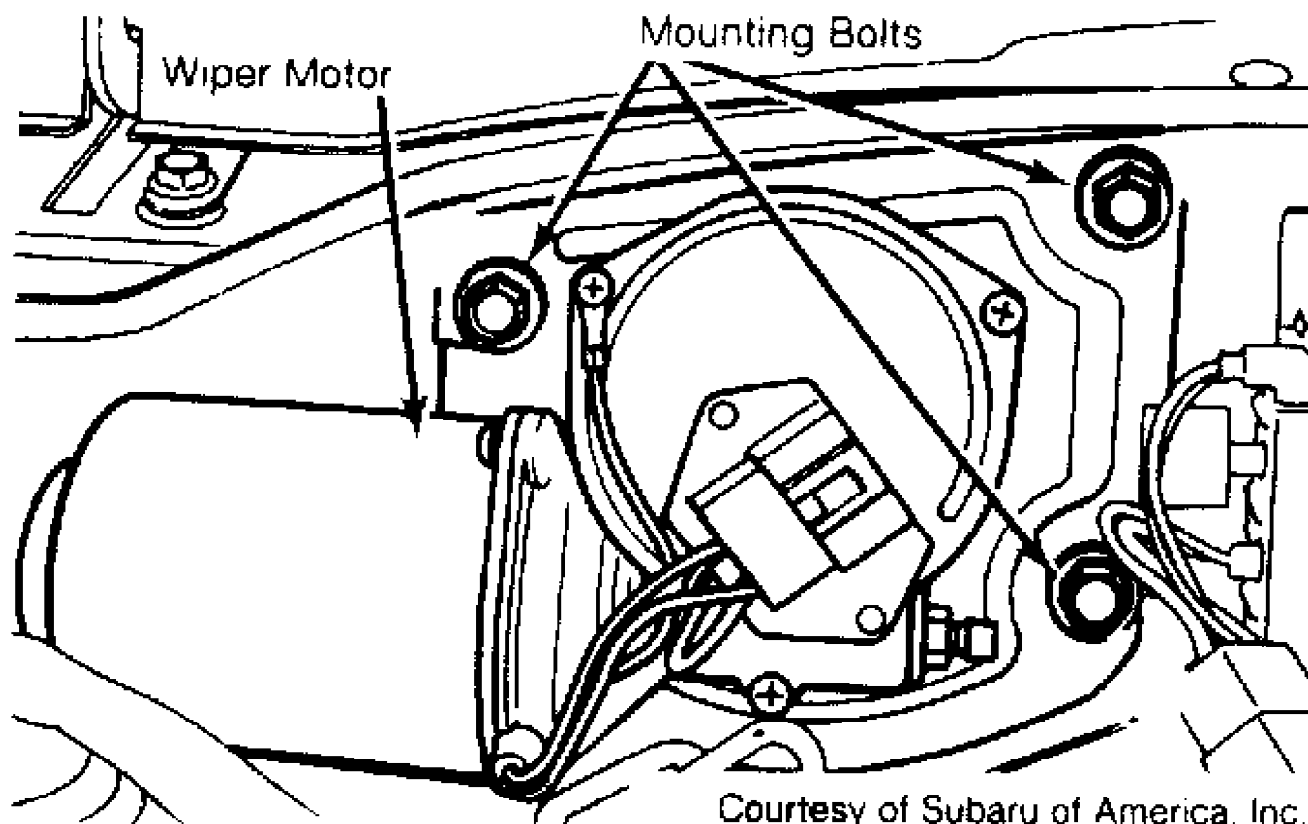
### **FRONT WIPER MOTOR REMOVAL & INSTALLATION**

Removal & Installation (Loyale & SVX)

Remove weatherstrip and debris screen. Disconnect wiper motor electrical connector. Remove motor mounting bolts. See Fig. 9. Remove nut securing motor link to motor. Remove wiper motor. To install,



reverse removal procedure. Adjust wiper arms. See WIPER ARMS under ADJUSTMENTS.



Courtesy of Subaru of America, Inc.

Fig. 9: Locating Front Wiper Motor Mounting Bolts (Typical)  
Courtesy of Subaru of America, Inc.

### **FRONT WASHER FLUID RESERVOIR REMOVAL & INSTALLATION**

#### **Removal & Installation**

On Loyale, detach right mud guard. On all models, disconnect electrical connectors. Disconnect hose from washer reservoir and nozzle. Remove drain hose. Remove reservoir mounting screws and reservoir. To install, reverse removal procedure.

### **REAR WIPER MOTOR REMOVAL & INSTALLATION**

#### **Removal & Installation**

Remove wiper arm nut cover. Remove shaft nut and wiper arm. Remove inside trim from hatch or tailgate. Disconnect electrical connector. Remove wiper motor. To install, reverse removal procedure.

### **REAR WASHER FLUID RESERVOIR REMOVAL & INSTALLATION**

#### **Removal & Installation**

Remove trim and attaching screws. Disconnect hose from washer reservoir and nozzle. Disconnect wiring connector from washer pump. Lift out washer reservoir. To install, reverse removal procedure.

## **WIRING DIAGRAMS**

See appropriate chassis wiring diagram in WIRING DIAGRAMS.